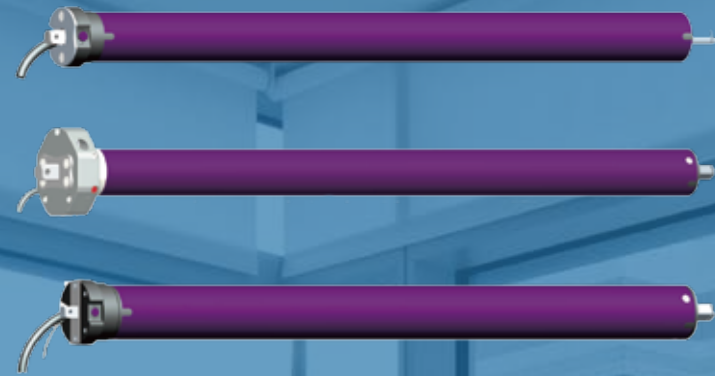


# GW TUBULAR MOTORS



## APPLICATION

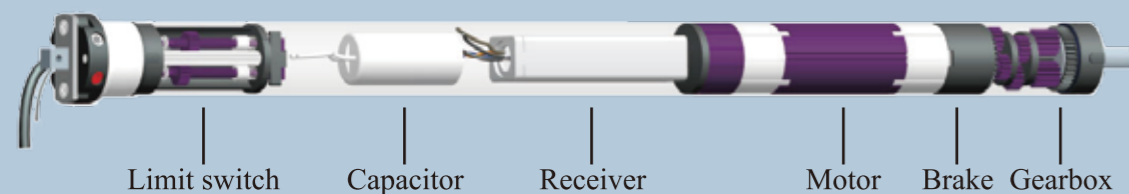
- Adopt low noise design.
- Stable operation.
- Brake limit value is accurate and reliable.
- Easy operation.

According to function, Tubular Motor can be divided into Standard Type, Manual Type, Build-in Receiver Type, Build-in Receiver and Manual Type, Electronic Type, Button Type.

## APPLICATION



## INNER STRUCTURE PICTURE



RoHS CE ISO 9001

www.gwindustry.com

E-mail: gw@gwindustry.com



● GW Electric (Shanghai) Co., Ltd. - Sales Office  
 Add: No. 30 Hongcao Rd., Xuihui District, Shanghai 200233, China  
 Tel: +86 -21 - 58421226 Fax: +86 -21 - 58421319

● GW Electric (Shanghai) Co., Ltd. - Factory  
 Add: No. 6838 Linhai Rd., Fengxian District, Shanghai 201414, China  
 Tel: +86 21 68317349 Fax: +86 21 58427041

● GW Electric USA, Inc.  
 Add: 20460 Carrey Rd., Walnut, California 91789, USA  
 Tel: +1 909 - 366 - 2018 Fax: +1 909 - 718 - 0103

● GW Europe S.R.L.  
 Add: Via Cascina Gattafame, Cap 23879, Verderio inferiore, MB, Italy  
 Tel: +39 039 514051

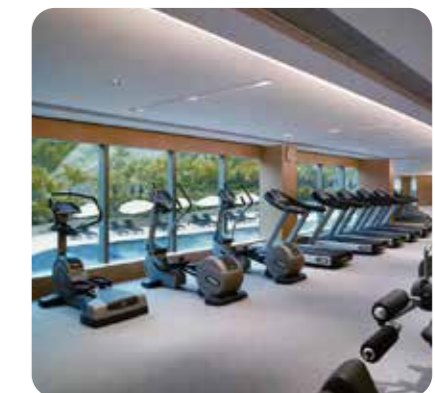
● AG-I Motor Tec Inc.  
 Add: 203214 County Rd. 109 East Garafraxa, ON L9W 7L8  
 Tel: +1 519 - 941 - 6832 Fax: +1 519 - 941 - 6834



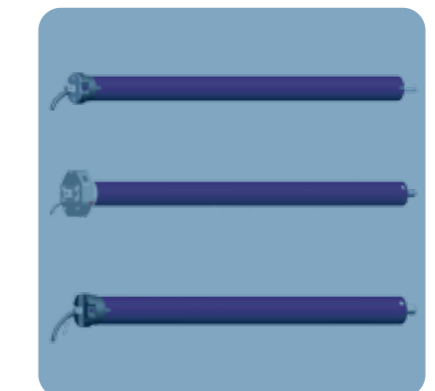
## GW ELECTRIC (SHANGHAI) CO., LTD.

60 years' Experience in Motor Manufacture

## SPECIAL MOTORS



## GREEN THE WORLD



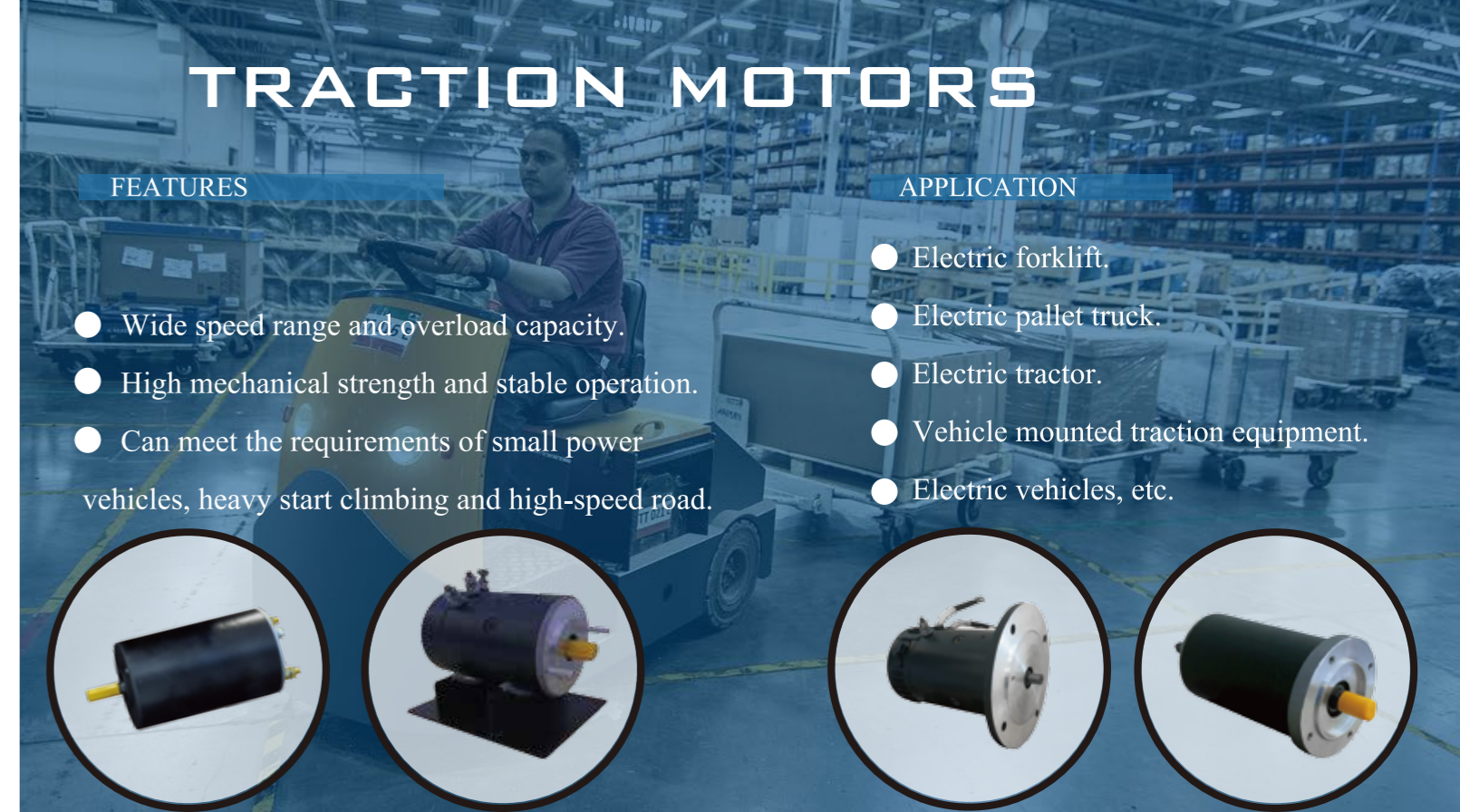
# TREADMILL DC MOTORS



This series is especially designed for high power treadmills. They can also apply to other machinery when modified properly in features and structure.

- Small size, light weight.
- Low noise, large output, high efficiency.
- Hard mechanical feature.
- Stable electromagnetic performance.

# TRACTION MOTORS



## FEATURES

- Wide speed range and overload capacity.
- High mechanical strength and stable operation.
- Can meet the requirements of small power vehicles, heavy start climbing and high-speed road.

## APPLICATION

- Electric forklift.
- Electric pallet truck.
- Electric tractor.
- Vehicle mounted traction equipment.
- Electric vehicles, etc.

# SOLAR TRACKER MOTORS

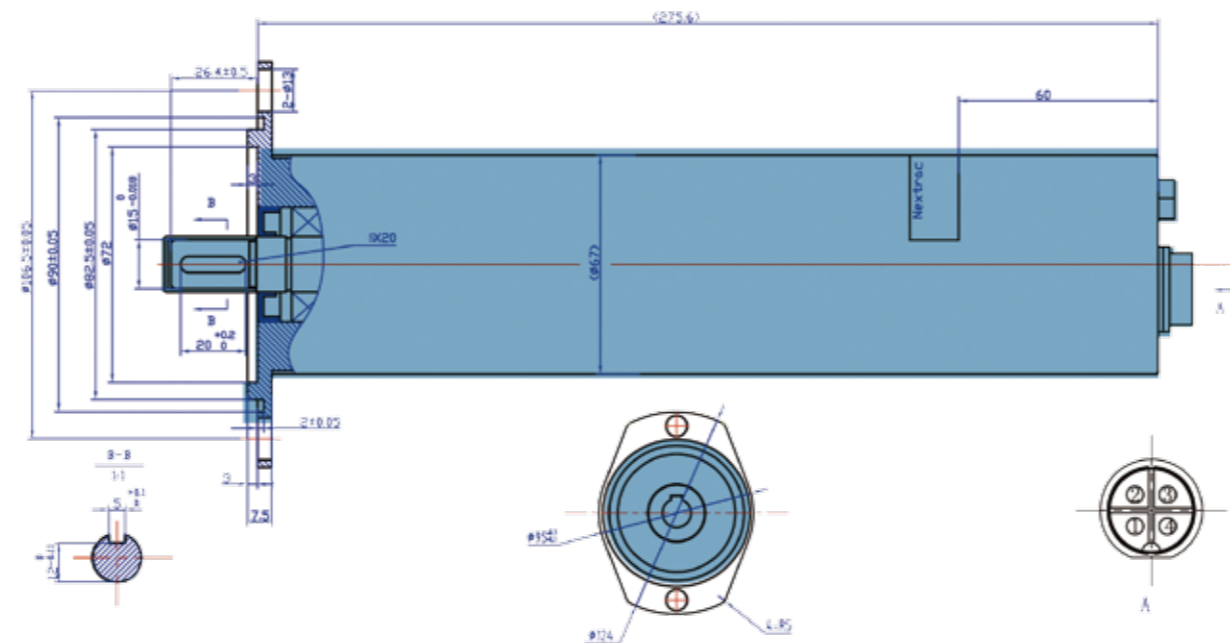


## HIGHER TORQUE SOLAR TRACKER DC GEAR MOTORS

### FEATURES

- Higher torque, fit for solar power equipment application.
- Can be applied in poor environment and wide temperature range from -30 C to 80 C .

| TYPE                     | ZYT6590 DC MOTOR | ZYT6590-01 SOLOR TRACKER GEARED MOTOR |
|--------------------------|------------------|---------------------------------------|
| PROTECTION CLASS         | IP54             | IP65                                  |
| DUTY CYCLE               | S1(100%)         | S1(100%)                              |
| RATED VOLTAGE            | 24V              | 24V                                   |
| NO LOAD CURRENT          | ≤0.7A            | ≤1.0A                                 |
| NO LOAD SPEED            | 3600±5%rpm       | 5±8%rpm                               |
| RATED CURRENT            | ≤4.8A            | ≤5.0A                                 |
| INPUT POWER              | 110W             |                                       |
| RATED TORQUE             | 0.27N.m          | 100N.m±3%                             |
| RATED SPEED              | 3150±8% rpm      | 4.4±8% rpm                            |
| RATED OUTPUT POWER       | 90W              |                                       |
| MINIMAKL WORKING VOLTAGE | 5V               | 5V                                    |
| EFFICENC                 | ≥80%             | ≥58%                                  |
| MAX.TORQUE               | 0.54 N.m         | 200 N.m 1min                          |
| MAX.CURRENT              | 25A              | 25A                                   |
| AMB.TEMP                 | -30°C~80°C       | -30°C~80°C                            |
| MOTOR WEIGHT             | 1.7kg            | 4.2kg                                 |
| INSOLATION               | F                | F                                     |
| GEAR RATIO               |                  | 710.5                                 |



# ECM MOTORS



## FEATURES

- High Efficiency at all speed.
- Wider operating range.
- Soft start-longer motor life span.
- Linear speed control.

## APPLICATION

- HVAC.
- Blower.
- Air purification equipment.
- Others.



- Electronically Commutated Motors (ECM) are brushless DC motor where the direction of the electric current is switched by electronic controllers.