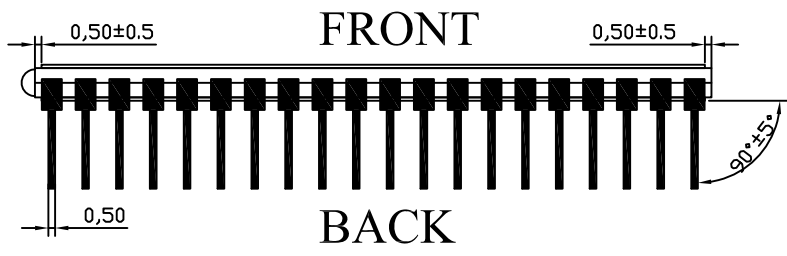
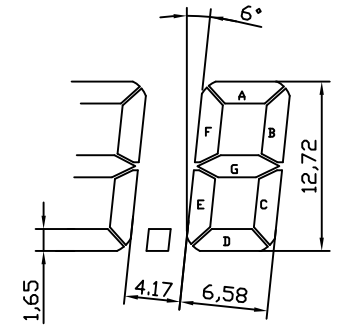
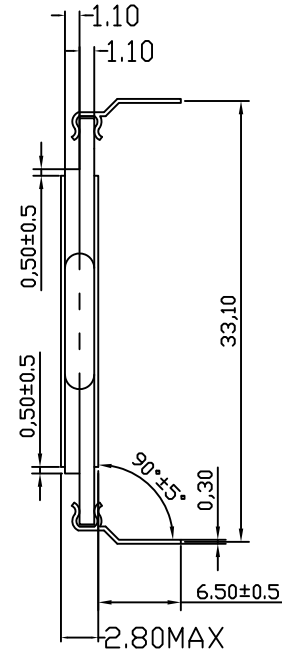
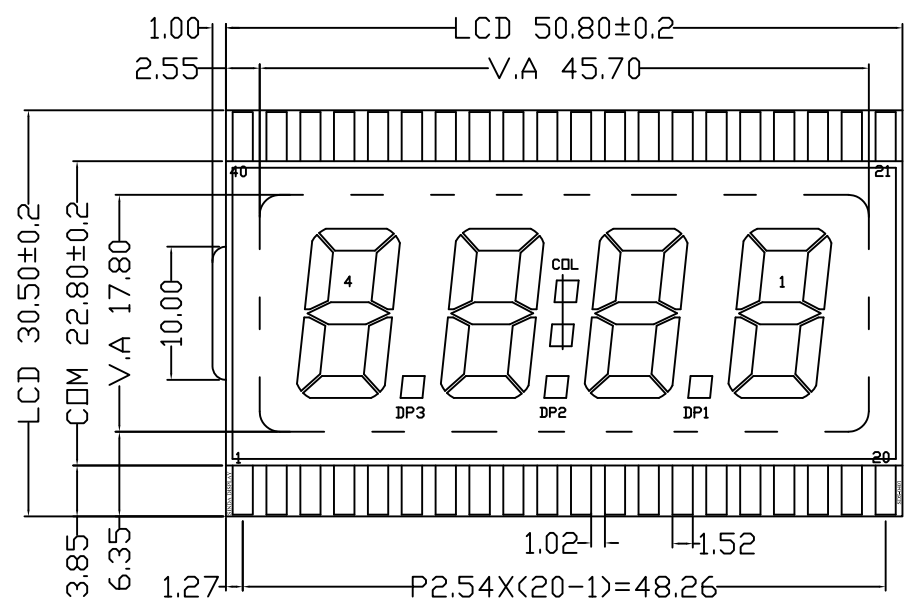
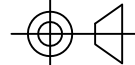



REV:	DESCRIPTION	BY	DATE
V1.0	New issue	SD-02	2014-11-10



PIN	1	2	3	4	5	6	7	8	9	10	11	12	13	14	15	16	17	18	19	20
BP	BP	/	/	4E	4D	4C	DP3	3E	3D	3C	DP2	2E	2D	2C	DP1	1E	1D	1C	1B	
PIN	21	22	23	24	25	26	27	28	29	30	31	32	33	34	35	36	37	38	39	40
BP	1A	1F	1G	2B	2A	2F	2G	COL	3B	3A	3F	3G	/	4B	4A	4F	4G	/	/	BP

- NOTES :
- 1. LCD TYPE: TN(Gray) Positive Transflective
  - 2. OPERATING VOLTAGE: Vop=5.0V
  - 3. VIEWING DIRECTION: 6 O'CLOCK
  - 4. DRIVE METHOD: Static
  - 5. OPERATING TEMP: -20°C TO +70°C
  - 6. STORAGE TEMP: -30°C TO +80°C
  - 7. CONNECTOR TAPE: PIN
  - 8. DRIVER IC:
  - 9. BACKLIGHT:
  - 10. ALL sub-parts and materials of the parts, must comply with the RoHS instructions of EU.

		 <b>SINDA DISPLAY TECHNOLOGY CO., LTD.</b>	
SHEET: 1 of 1		MODEL NUMBER :	VERSION: 1.0
APPROVALS		DATE	UNITS: MM
DWN	SD-02	2014-11-10	DO NOT SCALE THIS DRAWING.
CHK			
APP	SD-11	2014-11-10	
www.sindadisplay.com			SCALE: 1:1